

# BREVET DE LA DOUCHE MAGNETIQUE

[PermaLink](#) [Machine translation](#)

**Publication Number**

WO/2020/231174

**Publication Date**

19.11.2020

**International Application No.**

PCT/KR2020/006284

**International Filing Date**

13.05.2020

**IPC**

C02F 1/48 2006.1

**CPC**

B03C 1/286

B05B 1/18

B05B 15/40

C02F 1/48

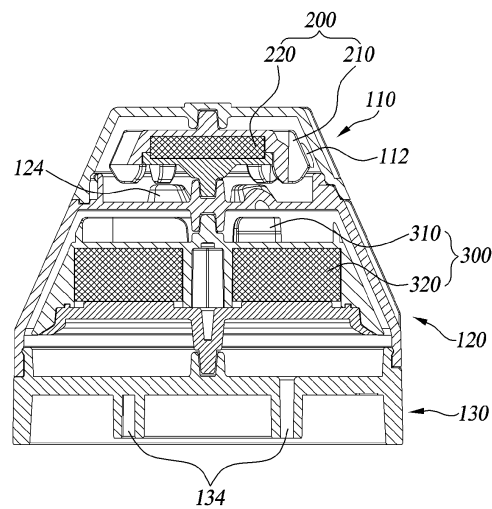
C02F 1/481

C02F 2303/04

[View more classifications](#)

**Title**

**[EN]** APPARATUS FOR GENERATING MAGNETIZED WATER

**Inventors**

이상훈 LEE, Sang Hun

**Agents**

김정환 KIM, Jeong Han  
최동혁 CHOI, Dong Hyuck

**Priority Data**

10-2019-0056891 15.05.2019 KR

**Publication Language**

Korean [ko]

**Filing Language**

Korean [ko]

**Designated States**

[View all](#)

**Abstract**

**[EN]** Provided, according to the present invention, is an apparatus for generating magnetized water, comprising: a housing part having a cylindrical structure; a first magnetized water generating part positioned on an upper side of the inside of the housing part, and magnetizing water while rotating in a forward direction or a counterclockwise direction by means of water flowing into the housing part; and a second magnetized water generating part positioned in a state of being partitioned from the first magnetized water generating part in the form of a partition wall in a middle portion of the inside of the housing part, and magnetizing water while again rotating, in a reverse direction or a clockwise direction, water that flows through the partition wall while being magnetized by the first magnetized water generating part.

**Related patent documents**

[KR102052616](#) [CN113784928](#) [US20220194825](#) [IN202117052176](#)

*Latest bibliographic data on file with the International Bureau*